

# FRUITION®

## Garden Fruit Fly Trap

### Instructions for assembly and use

The **Fruition® garden fruit fly traps** have been specially developed to attract and capture female fruit flies in home gardens. A unique combination of trap shape, colour and attractants is used.

Part of the attractant system is used to attract egg-laying **female** fruit flies. This unique design was developed by the International Centre for Management of Pest Fruit Flies at Griffith University in Brisbane. The second attractant is a protein bait that attracts both male and female fruit flies, removing them from the garden before they can reproduce and lay eggs.

The design of the **Fruition® Garden Fruit Fly Trap** is based on the **Fruition® Nova™ trap**, which is widely used in commercial fruit and vegetable production to control fruit fly populations and reduce crop damage.

The attractants in the **Fruition® Garden Fruit Fly Trap** consist of naturally occurring ingredients. The cages of the traps are made from recycled plastic and are recyclable. They system is **non-toxic and pesticide-free**.

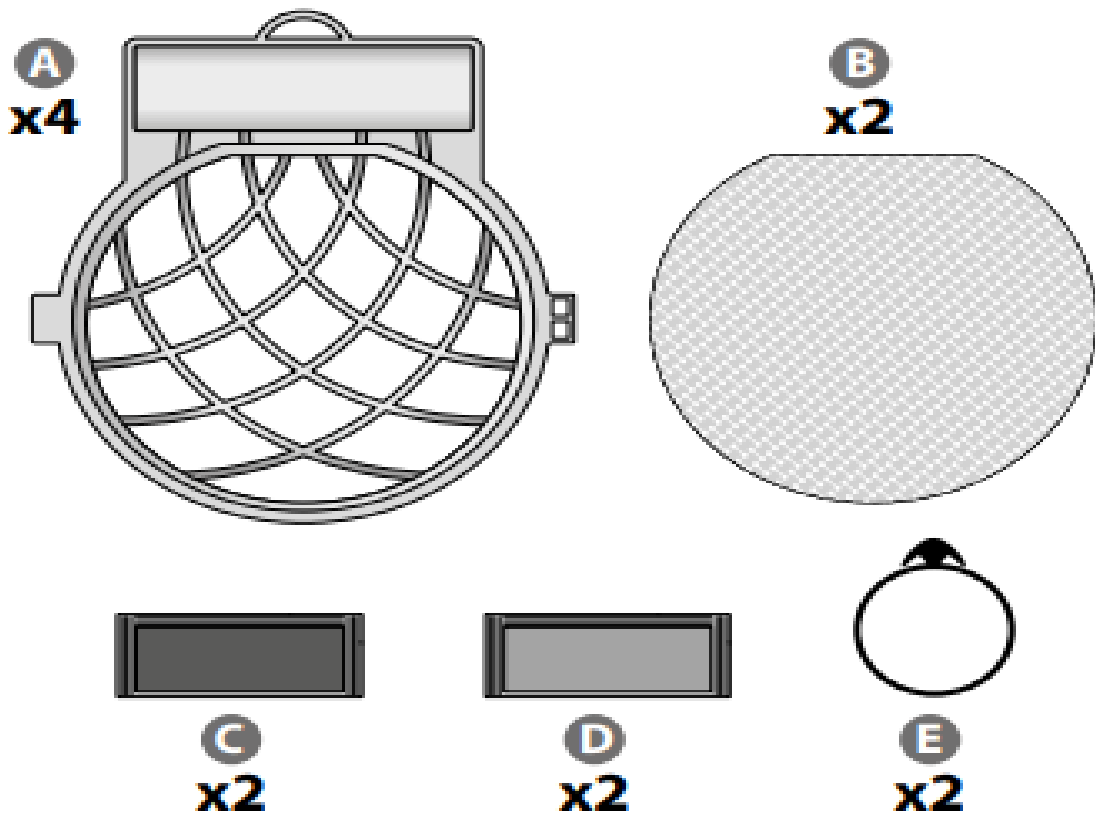
The **Fruition® Garden Fruit Fly Traps** catch all the main pests of the fruit fly family, including:

- **Queensland fruit fly** (*Bactrocera tryoni*)
  - **Small Queensland fruit fly** (*Bactrocera neohumeralis*)
  - **Jarvis fruit fly** (*Bactrocera jarvisi*)
  - **Cucumber fruit fly** (*Bactrocera cucumis*)
  - **Mediterranean fruit fly** (*Ceratitis capitata*)
  - **Melon fruit fly** (*Bactrocera cucurbitae*)
  - **Oriental fruit fly** (*Bactrocera dorsalis*)
  - **Peach fruit fly** (*Bactrocera zonata*)
  - **Guava fruit fly** (*Bactrocera correcta*)
  - **Chinese citrus fly** (*Bactrocera minax*)
  - **Pacific fruit fly** (*Bactrocera xanthodes*)
  - **Australian fruit fly** (*Bactrocera kirki*)
  - **Striped fruit fly** (*Bactrocera scutellaris*)
  - **Pumpkin fruit fly** (*Bactrocera tau*)
  - **Halfordiae fruit fly** (*Bactrocera halfordiae*)
  - **Bancroftii fruit fly** (*Bactrocera bancroftii*)
  - **Brunnea fruit fly** (*Bactrocera brunnea*)
  - **Tephritiden fruit fly** (*bactrocera invadens*)
  - **Island fly** (*Dirioxa pornia*)
  - **Caribbean fruit fly** (*Anastrepha suspensa*)
-

## Package contents

This pack contains **two Fruition Garden Fruit Fly Traps** ready for installation:

- **4x** Recyclable Fruition cage components **A**
- **2x** Fruition yellow adhesive discs with protective cover **B**
- **2x** Fruition gel bait bag **C**
- **2x** Brown Fruition Natflav<sup>®</sup> protein bait bag **D**
- **2x** Fastening straps for mounting on trees or support **E**



## Recommended application

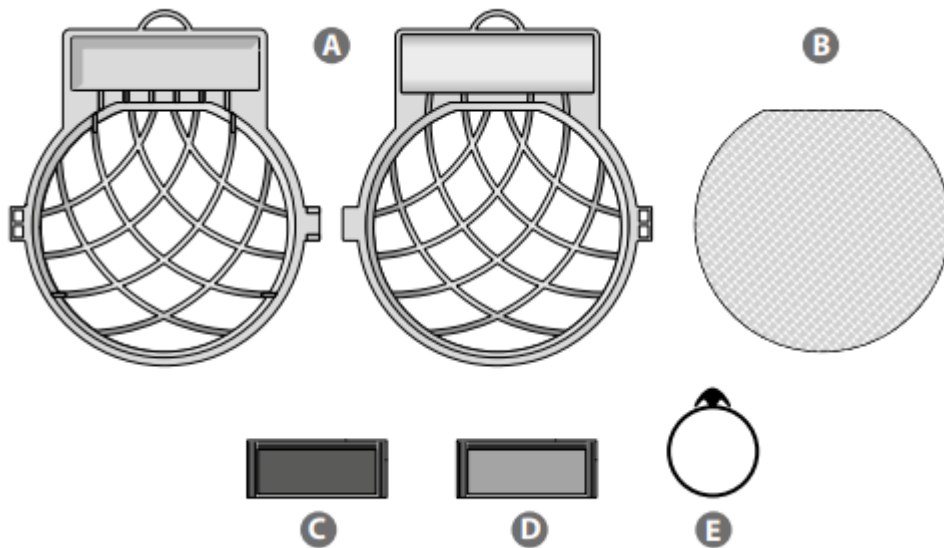
1. **Fruition® garden fruit fly traps are effective for up to 12 weeks**
2. **The traps should be set before the fruit ripens**, when they are still hard and green, so that they are not attractive to fruit flies.
3. **One trap per tree** for trees up to 3 metres high, larger trees should be equipped with two traps.
4. **Height and placement of the traps:**
  - Attach to fruit trees at a height of **1.5–2 metres**
  - For trees up to 3 m: Attach to the outside of the leaf canopy on the **north side** of the tree (visible, but not exposed to direct sunlight).
  - For trees over 3 metres high: Hang a second trap on the **south side** of the tree.
5. In **vegetable plants**, the trap should be attached to a tomato pole or similar support, slightly above the crown of the plant. (Recommendation: **1 trap per 10 m x 10 m area**).
6. **The trap should be replaced** if the adhesive disc is heavily covered with fruit flies or the gel bait bags have been open for longer than 12 weeks.
7. **Avoid contact with the adhesive surface.** If this happens, the non-toxic adhesive can be removed from the skin with vegetable oil.
8. At the end of the season, disassemble the traps and dispose of them in an environmentally friendly manner (household waste or recycling).

## Assembly guide for the trap

### 1. Preparation of the components

Place all components of the trap on a stable, flat surface:

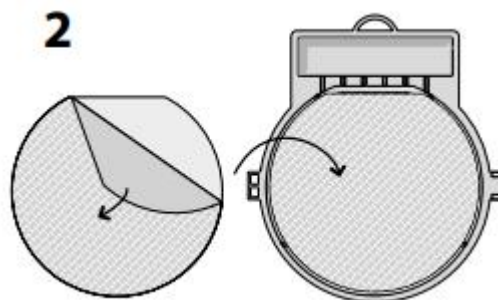
- **A:** 2 x Recyclable Fruition cage parts
- **B:** 1 x Fruition yellow adhesive disc with protective paper
- **C:** 1 x Fruition gel bait bag (blue)
- **D:** 1 x Fruition Natflav<sup>®</sup> protein bait bag (brown)
- **E:** 1 x Fastening tape for attaching to a tree or plant support



---

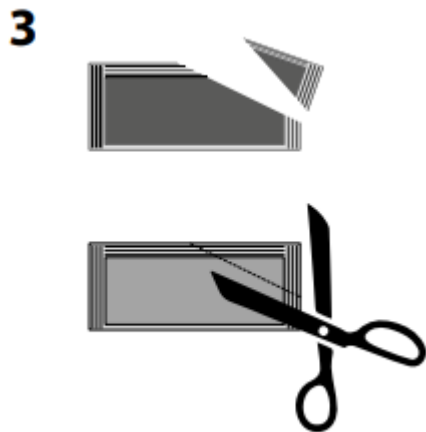
### 2. Attaching the adhesive disc

- Remove the protective film from one side of the yellow adhesive disc
- Place the disc with the sticky side facing down on one half of the cage
- Press it down lightly so that it sits on the holders of the trap
- **Tip:** Gloves can help to avoid contact with the adhesive surface



### 3. Preparation of the bait bag

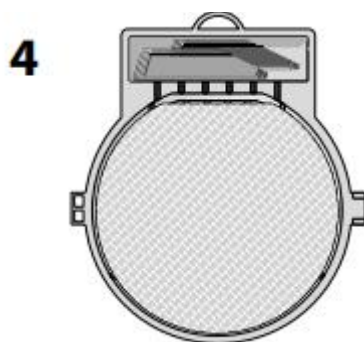
- Use scissors to cut off **one corner** of the gel bait and protein bait bag



---

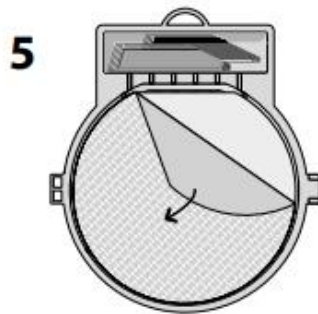
### 4. Inserting the bait bags

- Place the bags in the chamber at the top of the trap **with the open corner facing upwards**



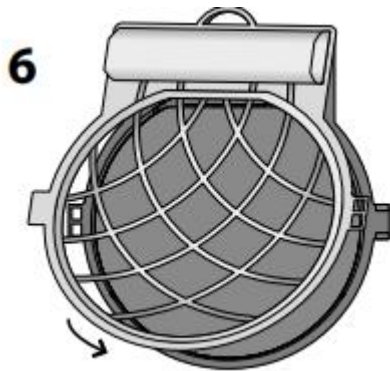
### 5. Complete application of the adhesive disc

- Now remove the protective film from the other side of the yellow adhesive disc
- **Avoid contact with the adhesive surface!**
- If adhesive gets on skin or objects (gloves, scissors), it can be removed with vegetable oil



### 6. Assembly of the trap

- Put the two halves of the cage together
- **Press firmly together** until the latch clicks into place



## 7. Attaching the trap

- Use the supplied fastening tape to attach the trap securely:
  - On a **branch of a tree** that is to be protected.
  - On a **fixed support in the vegetable/fruit patch or place** to control fruit flies

